



IPSO®

High efficient softmount washer-extractors

IY180 - IY240 - IY280

Features

- Freestanding, high spin
- Stainless steel top and front panel, black side panels
- Stainless steel drum and tub
- Aries - easy to use microprocessor
- Patented soap hopper
- High capacity water inlets (IY 280)
- Large drain valve (Ø 76 mm)
- Easy access to all vital parts from the front
- Large door opening for easy loading & unloading

Options

- Aries Elite - Fully programmable
- Coin operated
- Stainless steel side panels
- USB plug (on the back panel)
- Liquid soap connection
- Liquid soap pumps
- Water recovery kit
- Steam heating version
- 3rd water inlet
- High capacity water inlets (IY180, IY240)



ERGONOMICAL
CONSTRUCTION



LARGE DOOR
OPENING



LOW WATER
CONSUMPTION

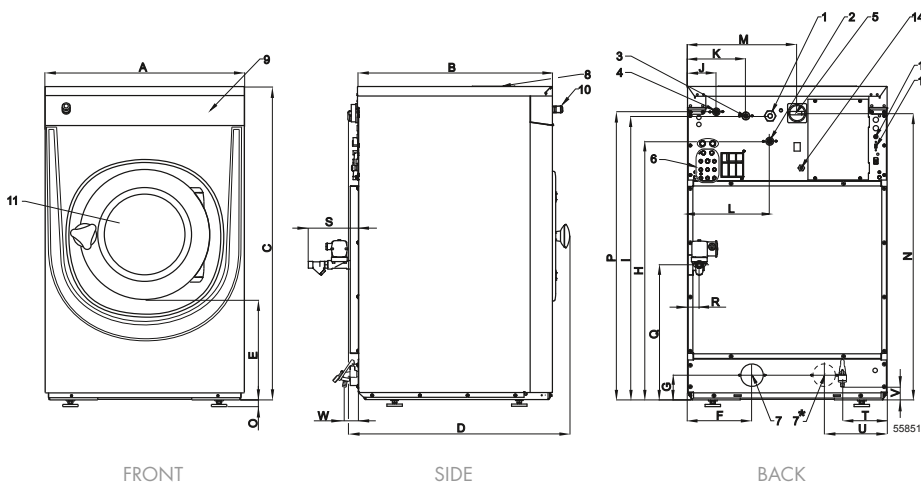


LOW ENERGY
CONSUMPTION

	IY180	IY240	IY280
Innerdrum			
Capacity 10:1	18 kg	24 kg	28 kg
Capacity 9:1	20 kg	27 kg	31 kg
Volume	180 l	240 l	280 l
Diameter	750 mm	750 mm	750 mm
Drum speed			
Wash	42 rpm	42 rpm	42 rpm
Extraction	915 rpm (350G) - 980 rpm (400G)	915 rpm (350G) - 980 rpm (400G)	915 rpm
G-factor	350 (optional 400)	350 (optional 400)	350
Heating			
Electricity	18 kW	18 kW	22 kW
Steam	1-8 bar	1-8 bar	1-8 bar
Hot water	90 °C	90 °C	90 °C
Sound pressure level	< 65 dB (A)	< 65 dB (A)	< 65 dB (A)
Water valves connection	3/4" BSP	3/4" BSP	3/4" BSP
Water pressure	100-800 kPa	100-800 kPa	100-800 kPa
Rec. Water pressure	300-500 kPa	300-500 kPa	300-500 kPa
Water inlet	20 l/min	20 l/min	20-50 l/min
Drain valve outer	Ø 76 mm	Ø 76 mm	Ø 76 mm
Flow amount with drain valve	210 l/min	210 l/min	210 l/min
Steam valve connection	1/2" BSP	1/2" BSP	1/2" BSP
Steam pressure	100-800 kPa	100-800 kPa	100-800 kPa
Transport data			
Gross weight	395 kg	450 kg	515 kg
Net weight	380 kg	430 kg	495 kg
Packing dimensions HxWxD	1550x1025x1015 mm	1550x1025x1150 mm	1550x1025x1225 mm

A B C D E F G H I J K L M N O

IY180	970	970	1410	906	477	270	108,5	1215	1297,5	102,5	208	293	610	1315	24
IY240	970	1105	1410	1041	477	270	108,5	1215	1297,5	102,5	208	293	610	1315	24
IY280	970	1185	1410	1116	477	270	108,5	1215	1305	102,5	208	293	610	1315	24
	width	depth	height												



- 1 Electrical connection
- 2 Hot water
- 3 Cold water hard
- 4 Cold water soft
- 5 Main switch
- 6 Liquid soap connection
- 7 Drain
- 8 Soap dispenser
- 9 Control panel
- 10 Button CENTRALSTOP
- 11 Door opening Ø460 mm
- 12 Fuses
- 13 USB port
- 14 Electrical connection to liquid soap pumps